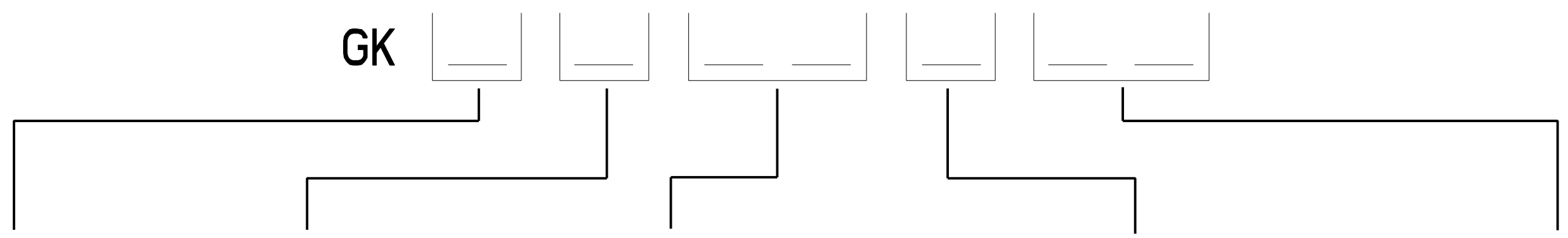


# DUAL ENTRY KEY OPERATED SAFETY INTERLOCK NOMENCLATURE



BODY / INDICATOR		CONDUIT		BASIC $\triangle 9$		HEAD		KEY	
B	NO INDICATOR	A	1/2 NPT	1	SNAP ACTION 1 NC - 1 NO, A600	L	OPENING TO FRONT AND TOP	6	STRAIGHT
C	SINGLE LED INDICATOR	B	PG 13.5	2	SNAP ACTION 2 NC - 2 NO, A600	M	OPENING TO RIGHT AND TOP	7	90 DEGREE
D	DOUBLE LED INDICATOR	C	20 MM	3	SLOW ACTING 1 NC - 1 NO BBM, A600	N	OPENING TO BACK AND TOP	8	UP-DOWN - SPRING LOADED
		D	PF 1/2	4	SLOW ACTING 1 NC - 1 NO MBB, A600	P	OPENING TO LEFT AND TOP	9	SIDE-SIDE - SPRING LOADED
				6	SLOW ACTING 2 NC, A500			X	NO KEY
				7	SNAP ACTION 1 NC - 1 NO - GOLD, A600				
				10	SLOW ACTING 4 NC, A300				
				12	SLOW ACTING 2 NC - 1 NO BBM, A300				
				14	SLOW ACTING 2 NC - 2 NO BBM, A300				
				16	SLOW ACTING 3 NC - 1 NO BBM, A300				
				30	SLOW ACTING 4 NC - GOLD, A300				
				32	SLOW ACTING 2 NC - 1 NO BBM - GOLD, A300				
				34	SLOW ACTING 2 NC - 2 NO BBM - GOLD, A300				
				36	SLOW ACTING 3 NC - 1 NO BBM - GOLD, A300				

**NOTES**

- 1 - ZINC DIECAST BODY AND HEAD WITH STEEL COVER. BODY, HEAD AND COVER FINISHED WITH EPOXY PAINT
- 2 - MINIMUM OPERATING VELOCITY (V<sub>min</sub>) = 10 mm/S  
39.4 in/S  
MAXIMUM OPERATING VELOCITY (V<sub>max</sub>) = 1 M/S  
39.4 in/S
- 3 - NO CHANGES CAN BE MADE TO THIS DRAWING WITHOUT JOINT FREEPORT/NEWHOUSE APPROVAL
- 4 - INSERTION FORCE = 35N NOM  
8 LB  
EXTRACTION FORCE = 28 N NOM  
6 LB
- 5 - SNAP ACTION N.C. CONTACTS: POSITIVE OPENING  
SLOW MAKE AND BREAK N.C. CONTACTS: DIRECT ACTING
- 6 - WHEN KEY IS INSERTED: N.C. TERMINALS ARE 11/12, 21/22, 31/32 AND/OR 41/42  
N.O. TERMINALS ARE 13/14, 23/24, 33/34 AND/OR 43/44
- $\triangle 7$  THE MAXIMUM VOLTAGE, V<sub>e</sub> OF GKC AND GKD SERIES PRODUCTS IS THE MAXIMUM RATED VOLTAGE OF INDICATION LIGHTS: 12 TO 250 VAC/DC FOR GKC AND 18 TO 30 VDC FOR GKD
- 8 - THE LEFT INDICATOR IS GREEN AND IS INTENDED TO INDICATE "POWER ON". THIS FEATURE IS ON GKD SERIES PRODUCTS ONLY.  
THE RIGHT INDICATOR IS YELLOW AND IS INTENDED TO INDICATE "OUTPUT STATUS". THIS FEATURE IS ON GKC AND GKD SERIES PRODUCTS ONLY
- $\triangle 9$  SEE BASIC SWITCH COLUMN FOR VOLTAGE RATING
- $\triangle 10$  T-15 TAMPER PROOF TORX DRIVER BIT PROVIDED
- $\triangle 11$  SWITCH MUST OPERATE BEFORE REACHING MINIMUM INSERTION DISTANCE

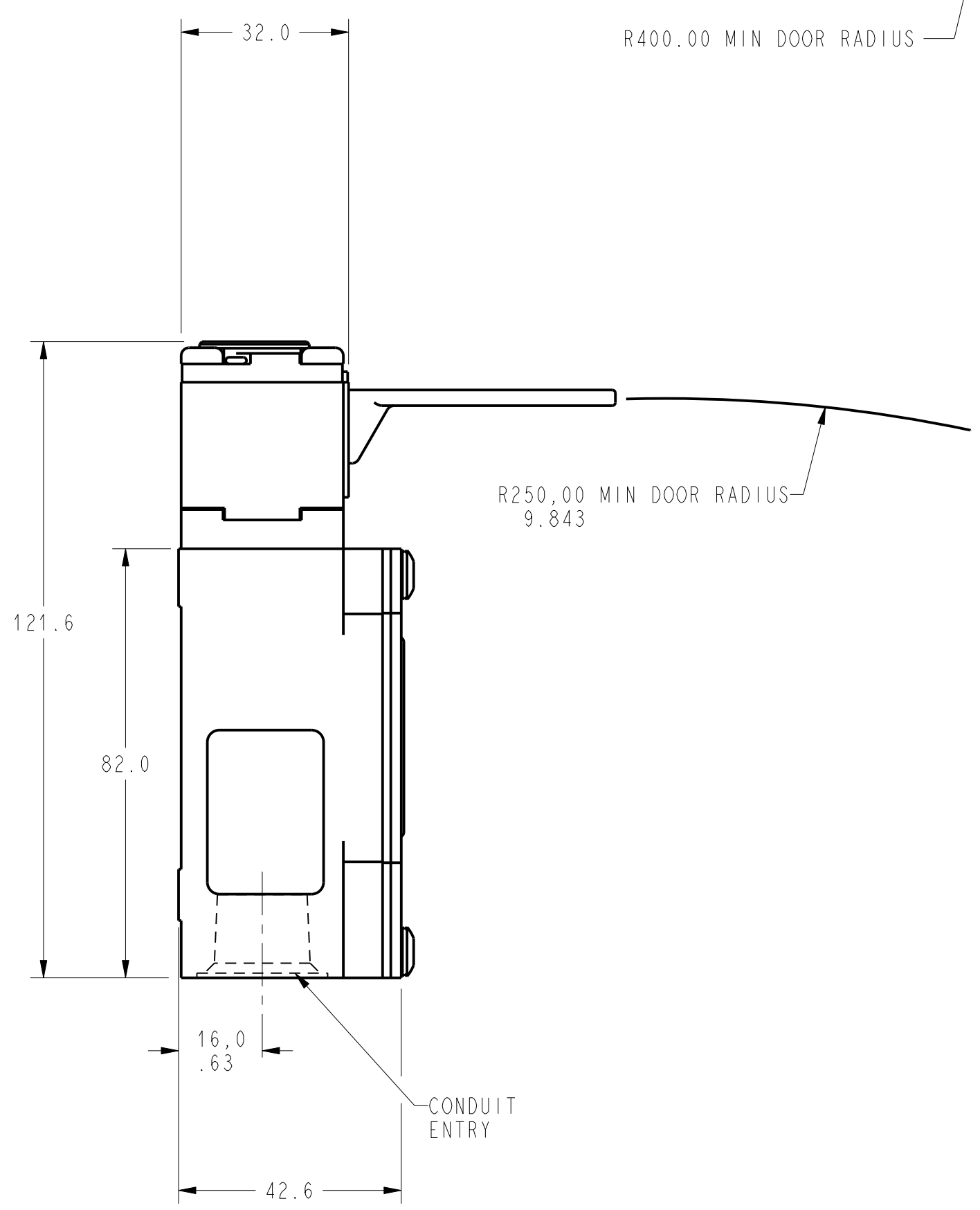
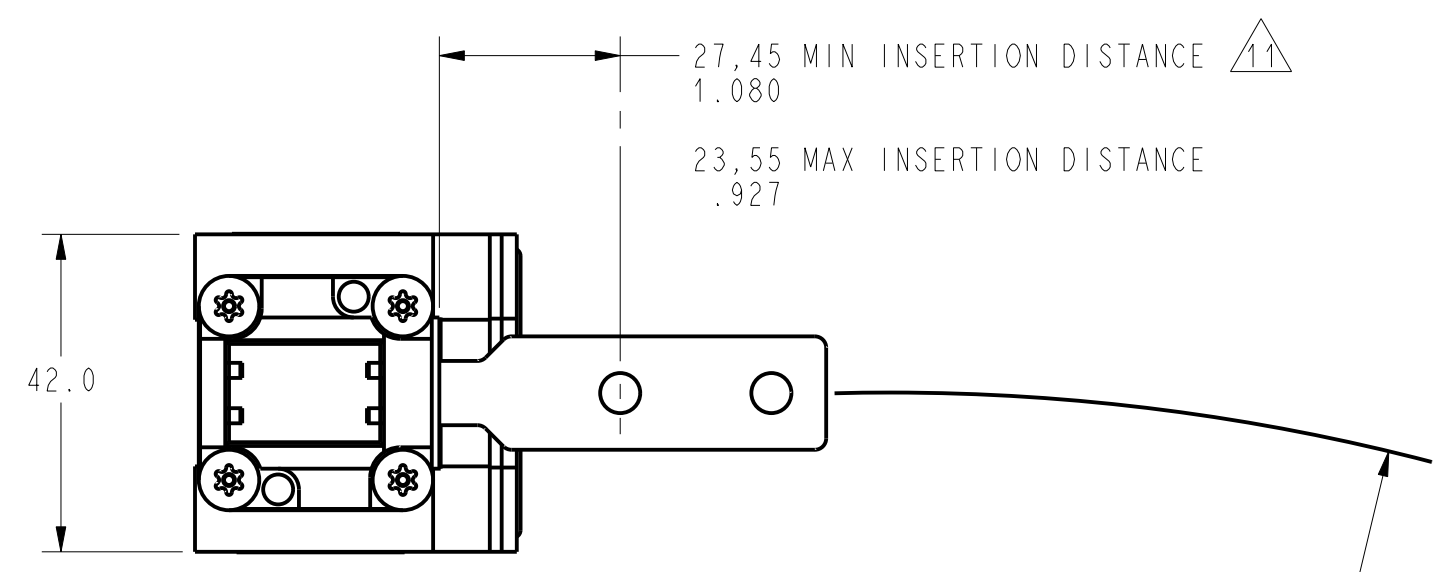
ELECTRICAL RATING $\triangle 7$				ENVIRONMENTAL		APPROVALS	
AC		DC		IP 67 NEMA 1, 4, 12 & 13			
A300/A600	AC15	Q300	DC13	TEMP RANGE: -25°C TO 85°C -13°F TO 185°F		UL	
U <sub>e</sub> $\triangle 9$	I <sub>e</sub>	U <sub>e</sub>	I <sub>e</sub>	STORAGE: -40°C TO 85°C -40°F TO 185°F		SF	
(VOLTS)	(AMPS)	(VOLTS)	(AMPS)	SHOCK: 50G PER IEC 68-2-27		IEC 947-5-1	
120	6	24	2.8	VIBRATION: 10G PER IEC 68-2-6		EN50041	
240	3	125	.55				
380	1.9	250	.27				
480	1.5						
500	1.4						
600	1.2						
I <sub>th</sub> = 10A							



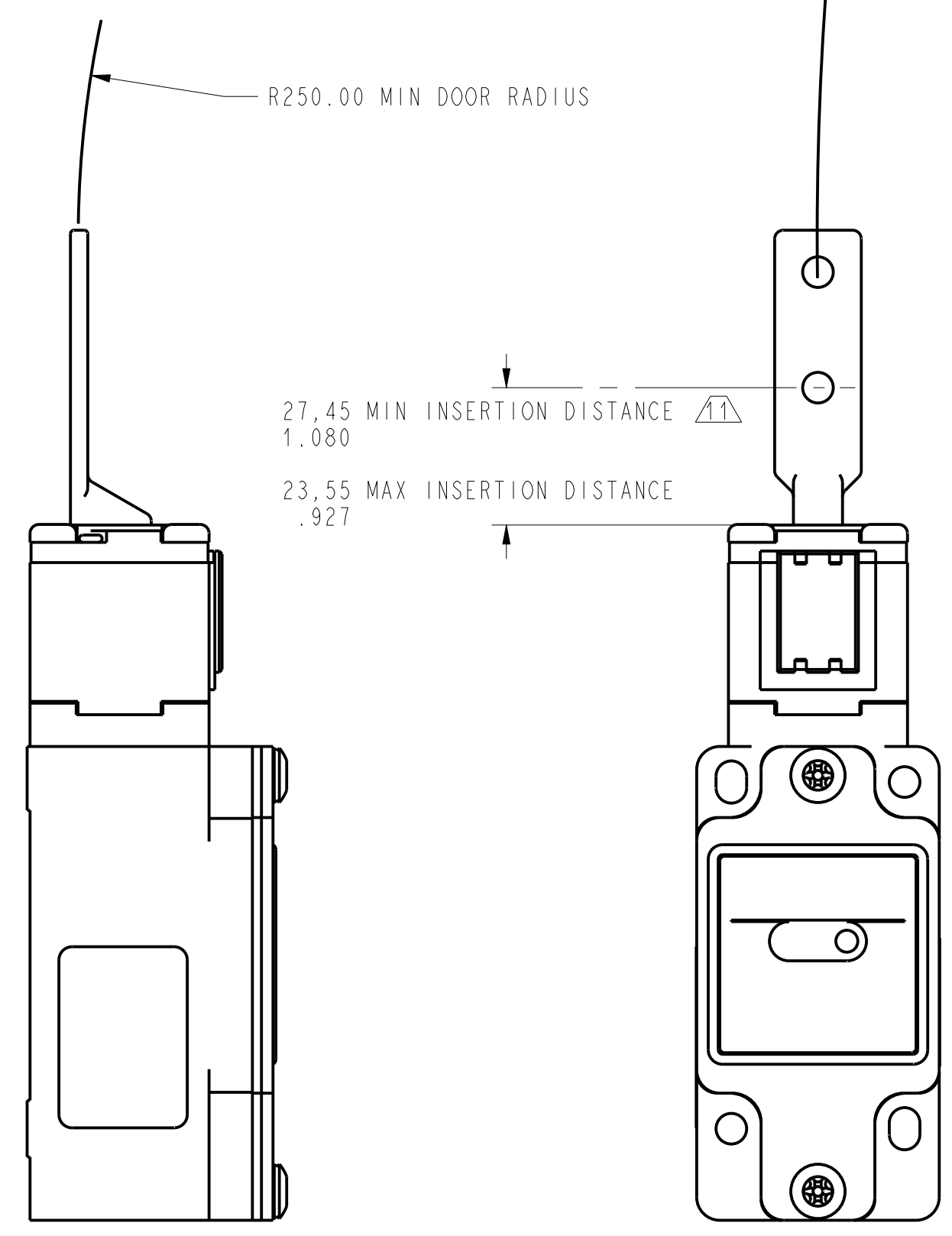
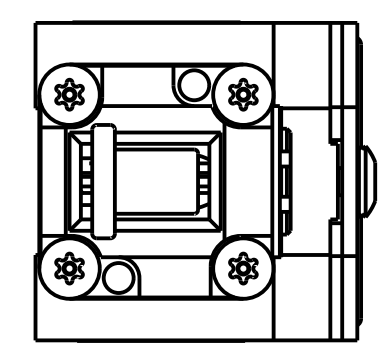
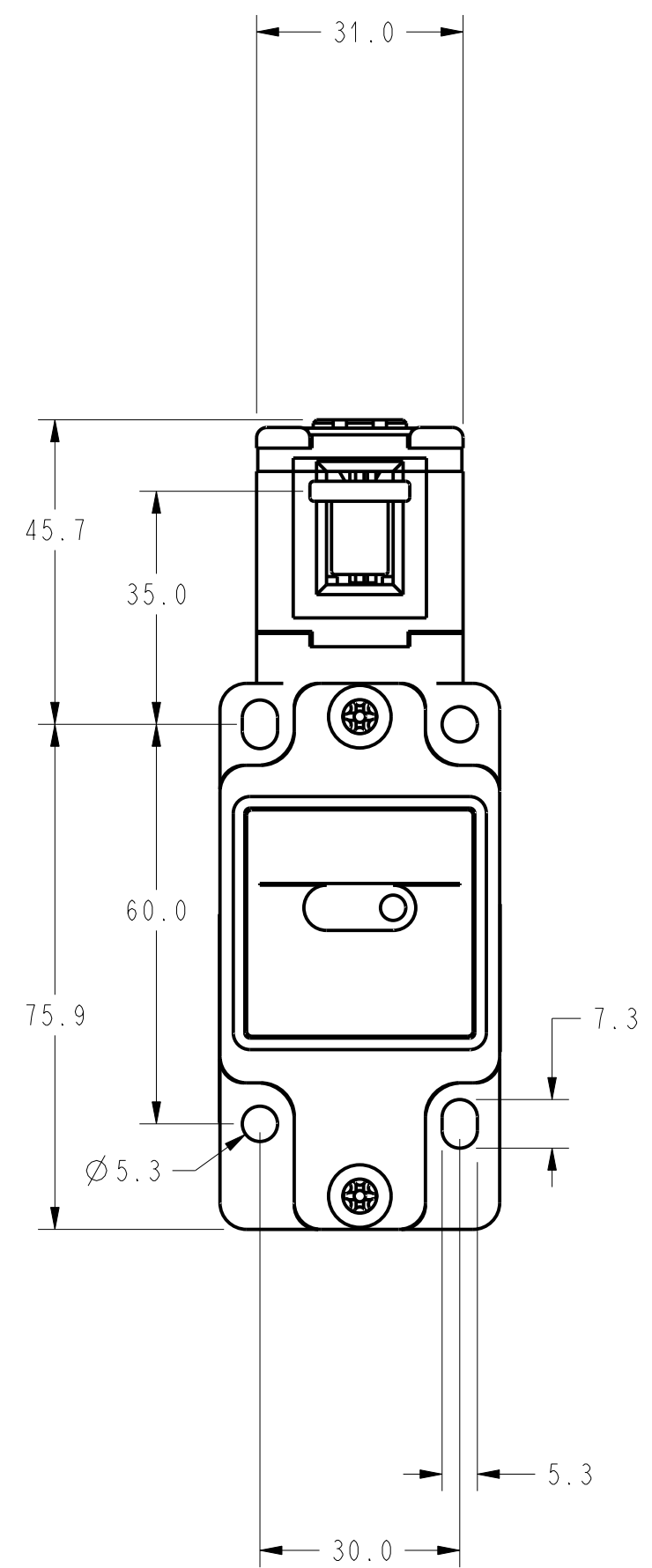
THIS DRAWING COVERS A PROPRIETARY ITEM AND IS THE PROPERTY OF MICRO SWITCH, A DIVISION OF HONEYWELL. THIS DRAWING IS NOT TO BE COPIED OR USED WITHOUT THE APPROVAL OF MICRO SWITCH.		
MICRO SWITCH a Honeywell Division	SWITCH - LIMIT	CATALOG LISTING GK SERIES CHART 3
FED. MFG. CODE 91929		

THIRD ANGLE PROJECTION		
SCALE NONE		
DO NOT SCALE PRINT		
UNLESS OTHERWISE SPECIFIED TOLERANCES ARE		
ONE PLACE	(.0)	±.030
TWO PLACES	(.00)	±.015
THREE PLACES	(.000)	±.005
ANGLES		±
WEIGHT APPROX .5 KG / 1 LB		

ISSUE	28	DRAWING NUMBER	GK SERIES CHART 3	PAGE 1 OF 8	RELEASE NO. PR-23758	REPLACES
REVISIONS	A	206394				
		TSM				
		9SEP02				
	B	206443				
		JLF				
		13SEP02				
	C	206976				
		JLF				
		27NOV02				
	D	207003				
		JLF				
		4DEC02				
	E	207211				
		TSM				
		15JAN03				
	F	207576				
		TSM				
		5MAR03				
	G	0000385				
		JLF				
		2JUN03				
P.T.C./CAD	30	DRAWN				
MAM	28	AUG 98	CHECK	JAF	12MAR99	



FRONT ENTRY



TOP ENTRY

P.T.C./CAD 30  
 DRAWN 28 AUG 98  
 CHECK JAF  
 MAM  
 ISSUE 28  
 DRAWING NUMBER  
 GK SERIES CHART 3  
 PAGE 2 OF 8  
 RELEASE NO. PR-23758  
 REPLACES  
 REVISIONS  
 A 206394 TSM 9SEP02  
 B 206443 TSM 13SEP02  
 C 206976 TSM 27NOV02  
 D 207003 TSM 4DEC02  
 E 207211 TSM 15JAN03  
 F 207576 TSM 5MAR03  
 G 0000385 TSM 2JUN03

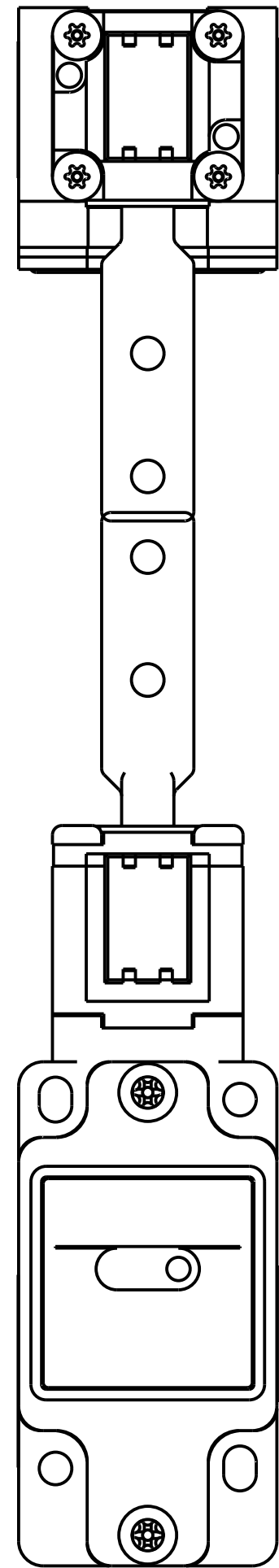
THIS DRAWING COVERS A PROPRIETARY ITEM AND IS THE PROPERTY OF MICRO SWITCH, A DIVISION OF HONEYWELL. THIS DRAWING IS NOT TO BE COPIED OR USED WITHOUT THE APPROVAL OF MICRO SWITCH.

**MICRO SWITCH**  
a Honeywell Division

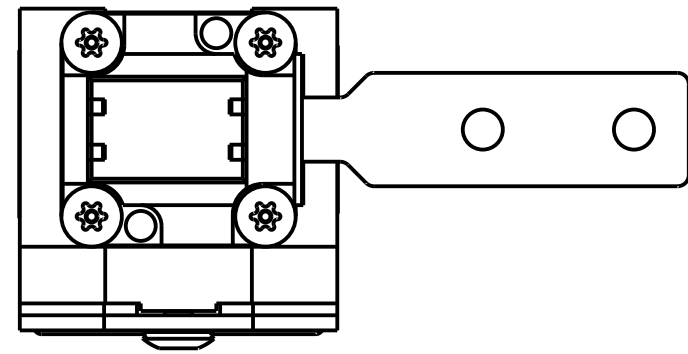
**SWITCH - LIMIT**

CATALOG LISTING  
**GK SERIES CHART 3**

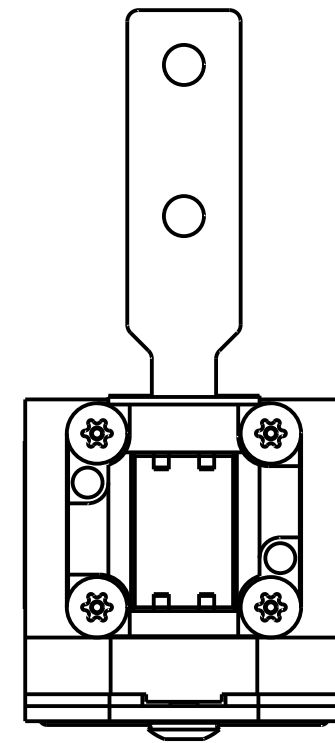
THIRD ANGLE PROJECTION	
SCALE FULL	
DO NOT SCALE PRINT	
UNLESS OTHERWISE SPECIFIED TOLERANCES ARE	
ONE PLACE	(.0) ±.030
TWO PLACES	(.00) ±.015
THREE PLACES	(.000) ±.005
ANGLES	±
WEIGHT APPROX .5 KG / 1LB	



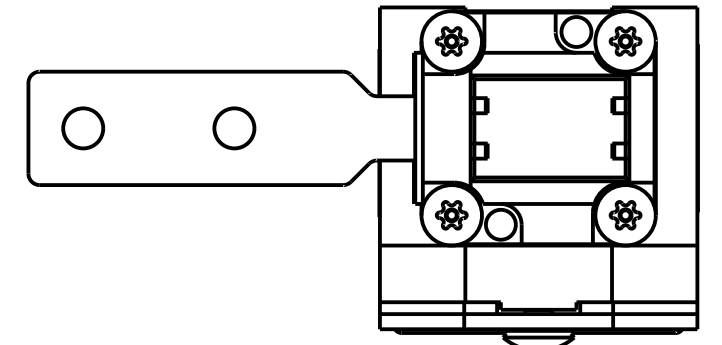
HEAD CODE L



HEAD CODE M

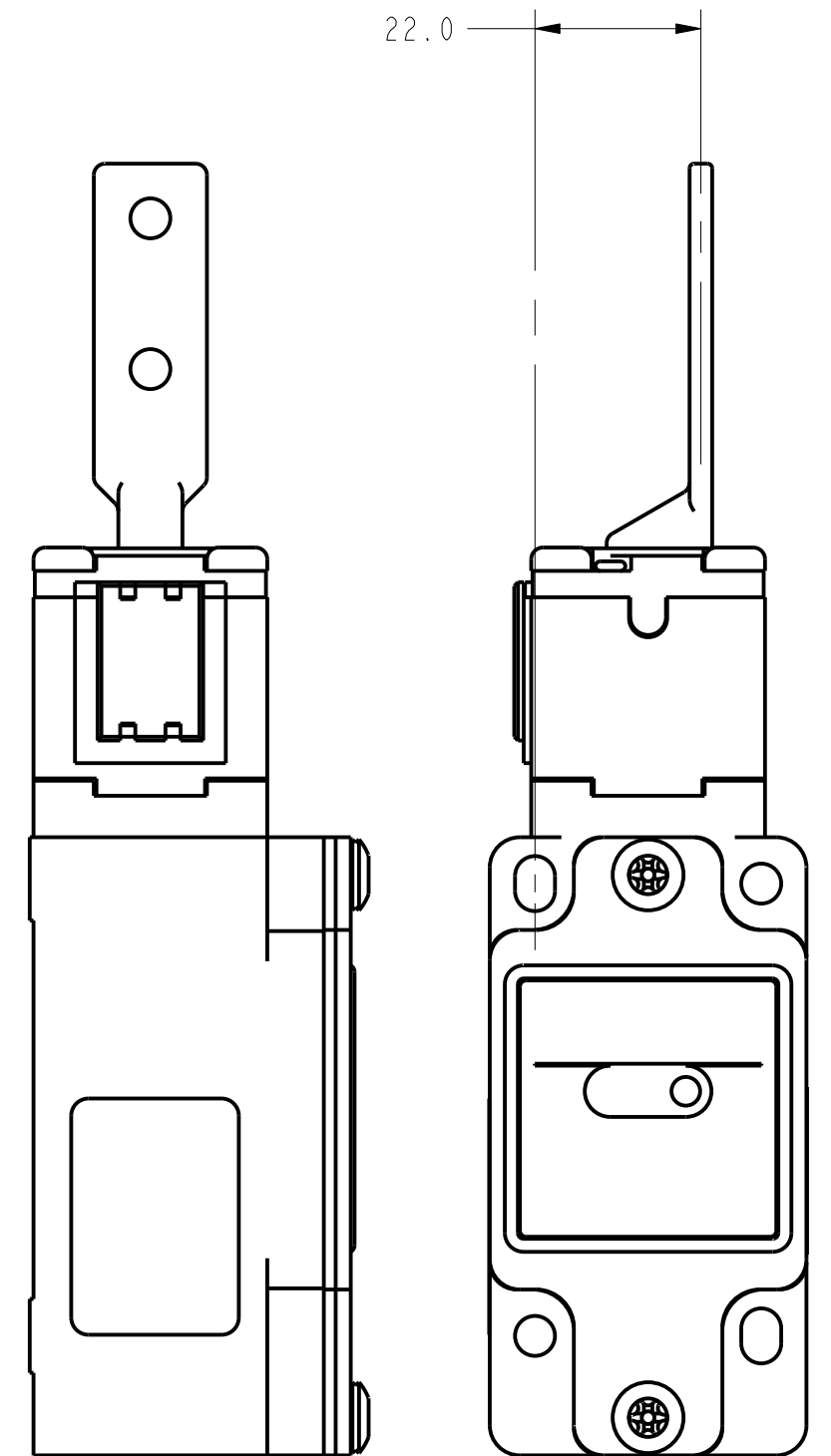
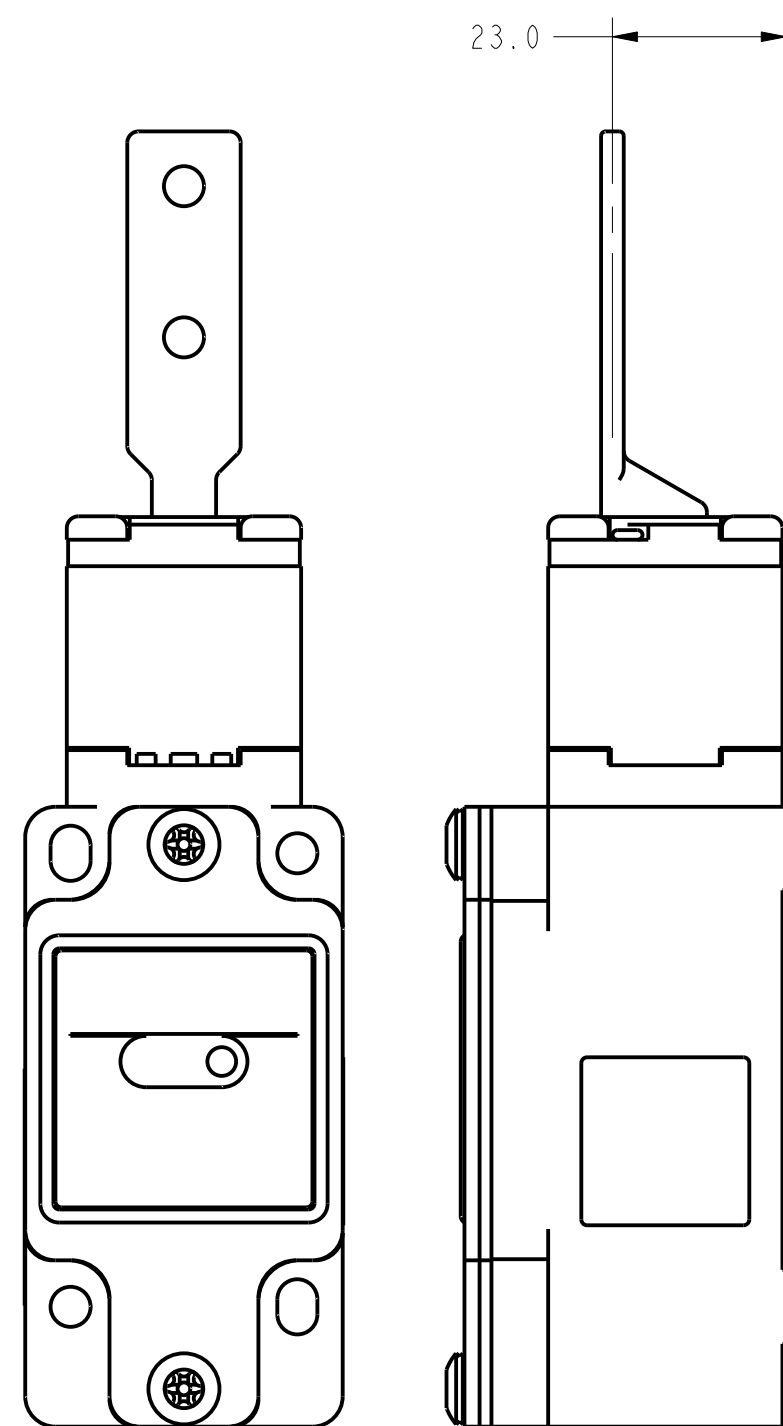
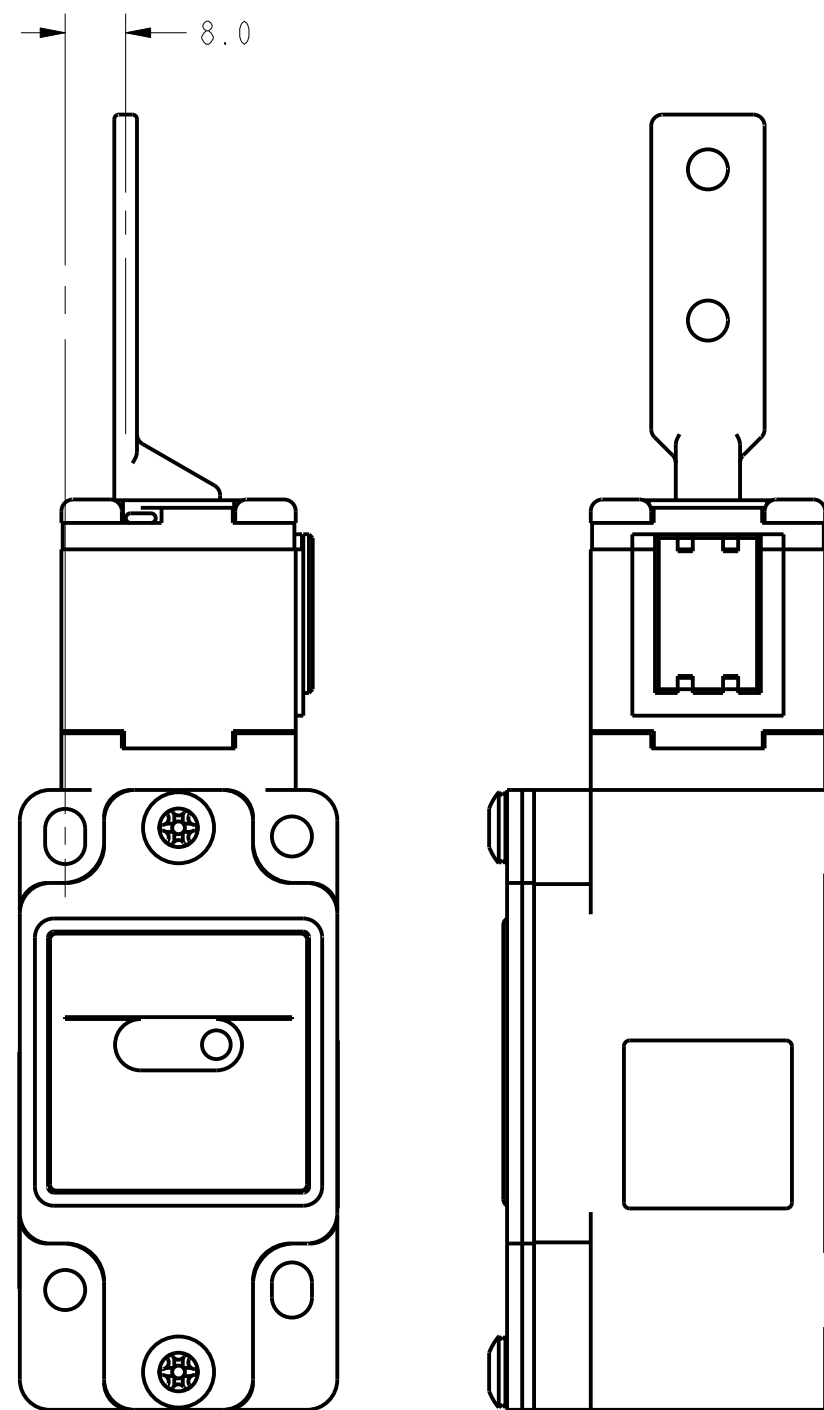


HEAD CODE N



HEAD CODE P

P.T.C./CAD 3D  
 DRAWN MAM  
 31 AUG 98  
 CHECK JAF  
 12 MAY 99  
 ISSUE 28  
 DRAWING NUMBER  
 GK SERIES CHART 3  
 PAGE 3 OF 8  
 RELEASE NO. PR-23758  
 REPLACES  
 REVISIONS  
 A 206394 TSM 9SEP02  
 B 206443 JLF 13SEP02  
 C 206976 JLF 27NOV02  
 D 207003 GFL 4DEC02  
 E 207211 TSM 15JAN03  
 F 207576 TSM 5MAR03  
 G 0000385 GFL 2JUN03

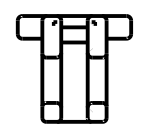
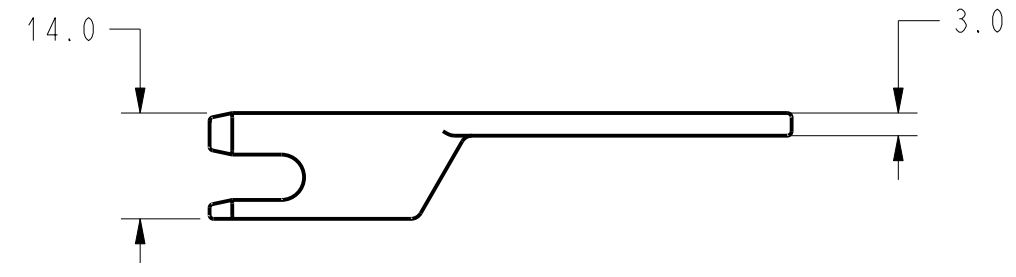
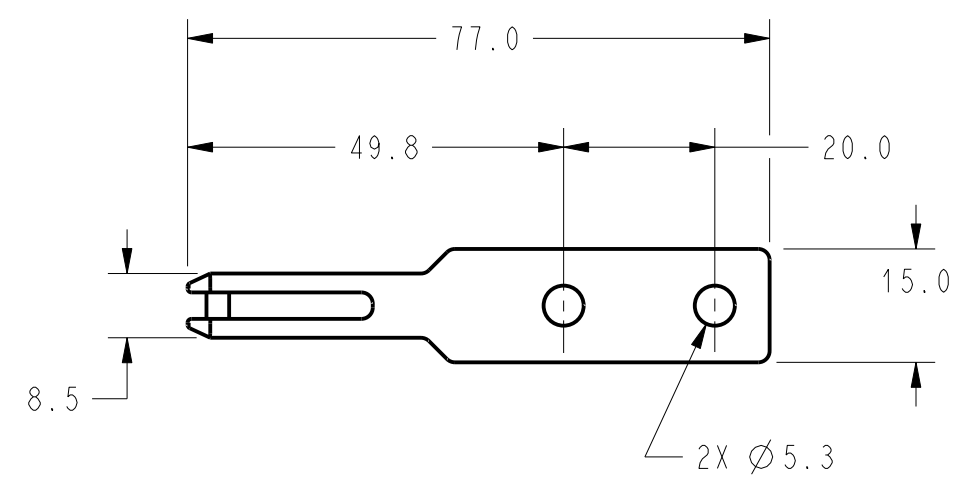


THIS DRAWING COVERS A PROPRIETARY ITEM AND IS THE PROPERTY OF MICRO SWITCH, A DIVISION OF HONEYWELL. THIS DRAWING IS NOT TO BE COPIED OR USED WITHOUT THE APPROVAL OF MICRO SWITCH.

<b>MICRO SWITCH</b> a Honeywell Division <small>FED. MFG. CODE 91929</small>	<b>SWITCH - LIMIT</b>	CATALOG LISTING <b>GK SERIES CHART 3</b>
------------------------------------------------------------------------------------	-----------------------	---------------------------------------------

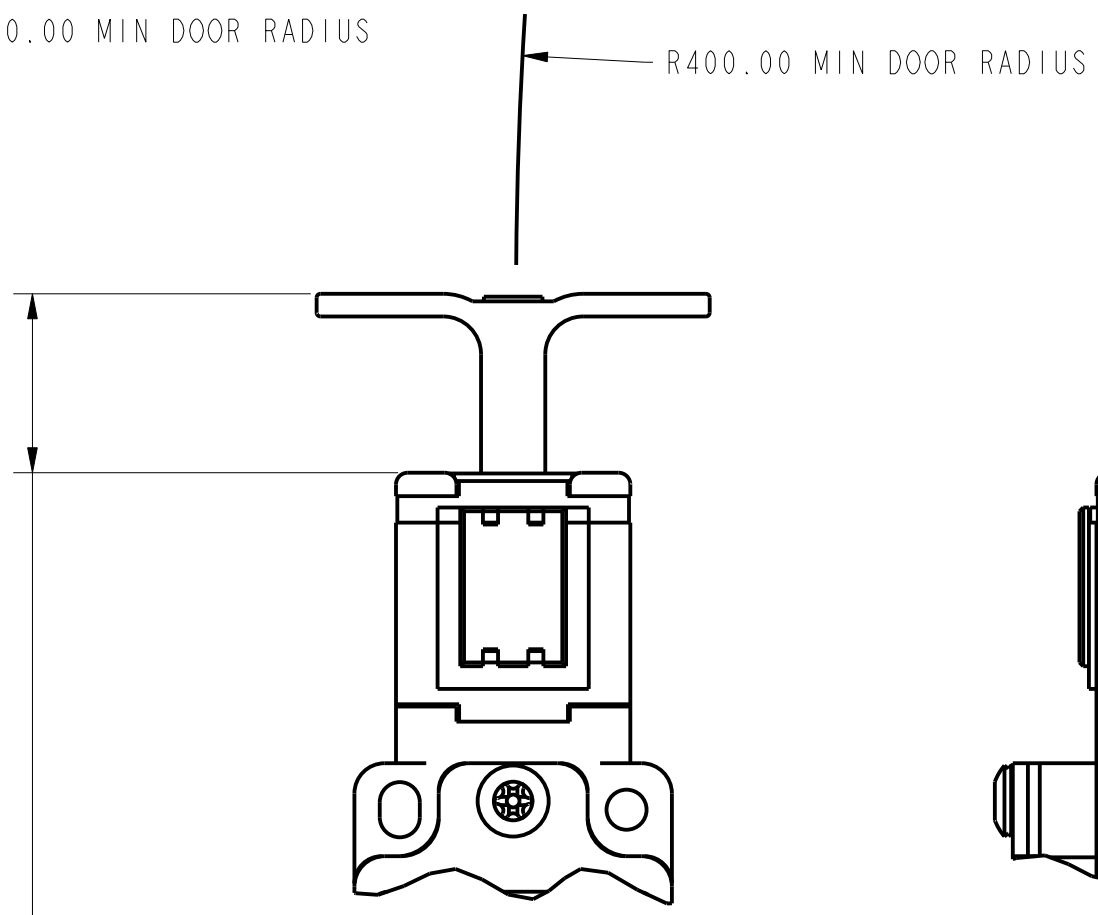
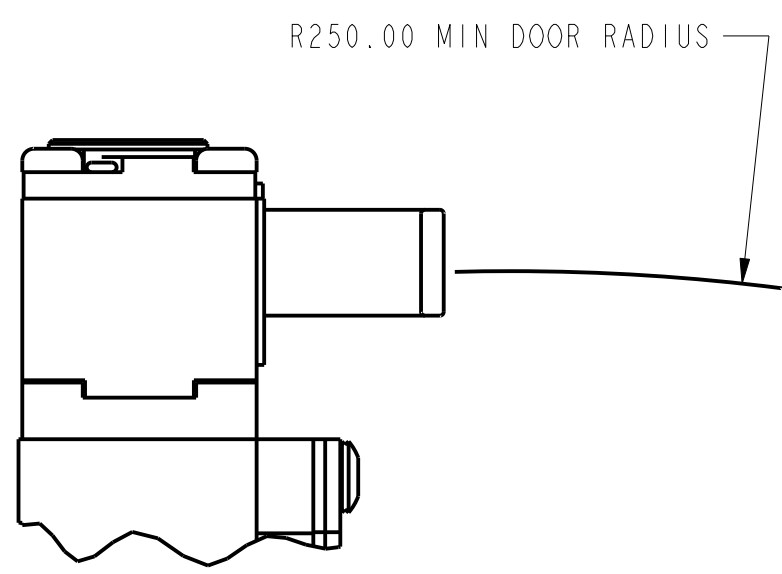
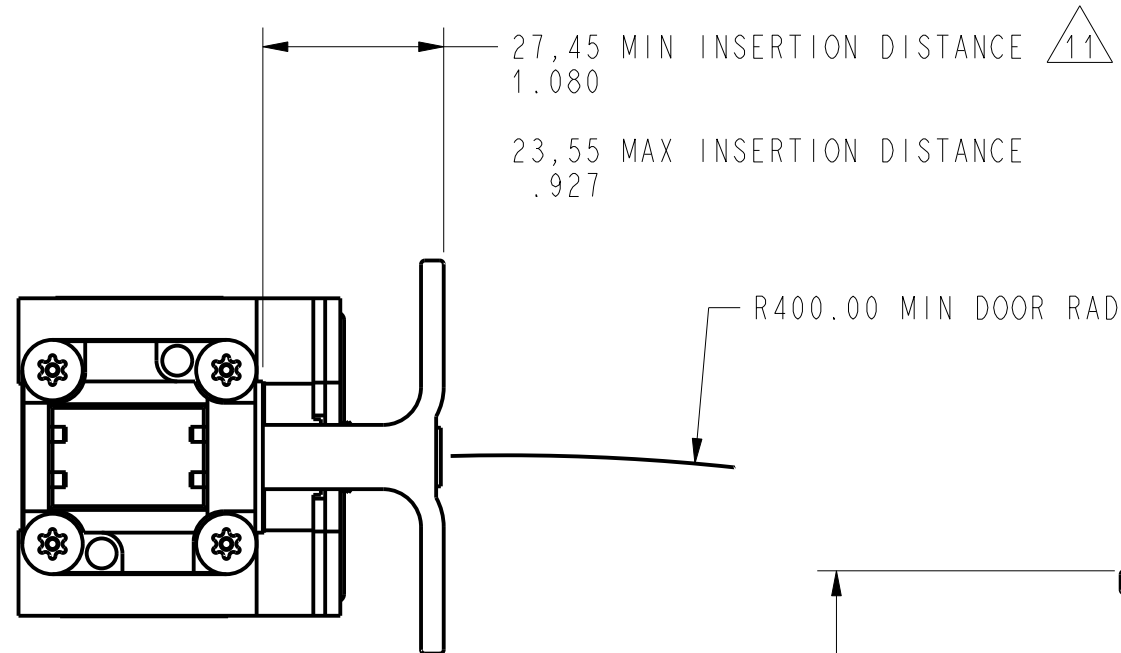
THIRD ANGLE PROJECTION	
SCALE FULL	
DO NOT SCALE PRINT	
UNLESS OTHERWISE SPECIFIED TOLERANCES ARE	
ONE PLACE	(.) ±.030
TWO PLACES	(.00) ±.015
THREE PLACES	(.000) ±.005
ANGLES	±
WEIGHT APPROX .5 HG / 1 LB	

ANSI Y14.5M-1982 APPLIES

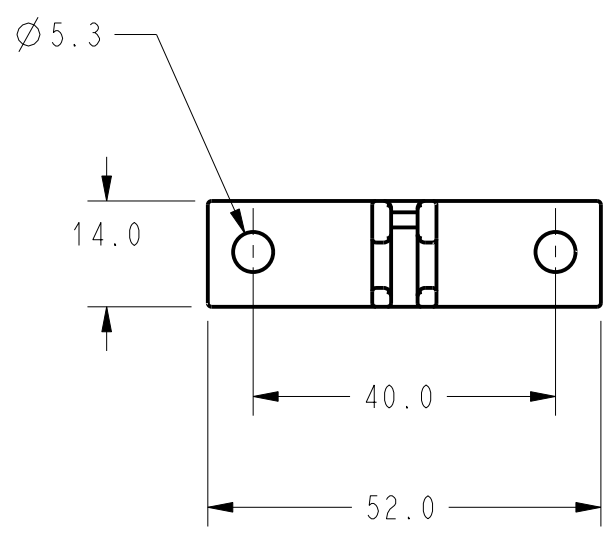
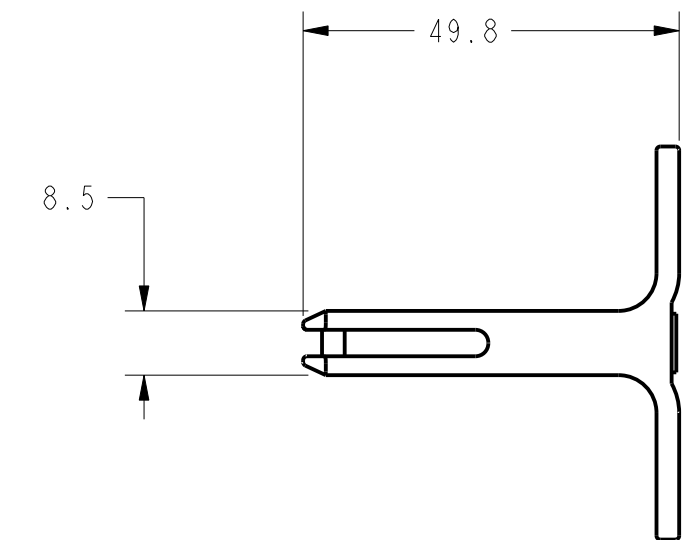


KEY CODE 6

P.T.C./CAD 30  
 DRAWN MAM 31 AUG 98  
 CHECK JAF 12 MAY 99  
 REVISIONS  
 A 206394 TSM 9SEP02  
 B 206443 TSM 13SEP02  
 C 206976 TSM 27NOV02  
 D 207003 TSM 4DEC02  
 E 207211 TSM 15JAN03  
 F 207576 TSM 5MAR03  
 G 0000385 TSM 2JUN03  
 ISSUE 28  
 DRAWING NUMBER  
 GK SERIES CHART 3  
 PAGE 4 OF 8  
 RELEASE NO. PR-23758  
 REPLACES



R250.00 MIN DOOR RADIUS



27.45 MIN INSERTION DISTANCE 1.080  
 23.55 MAX INSERTION DISTANCE .927

TOP ENTRY

KEY CODE 7

FRONT ENTRY

THIS DRAWING COVERS A PROPRIETARY ITEM AND IS THE PROPERTY OF MICRO SWITCH, A DIVISION OF HONEYWELL. THIS DRAWING IS NOT TO BE COPIED OR USED WITHOUT THE APPROVAL OF MICRO SWITCH.

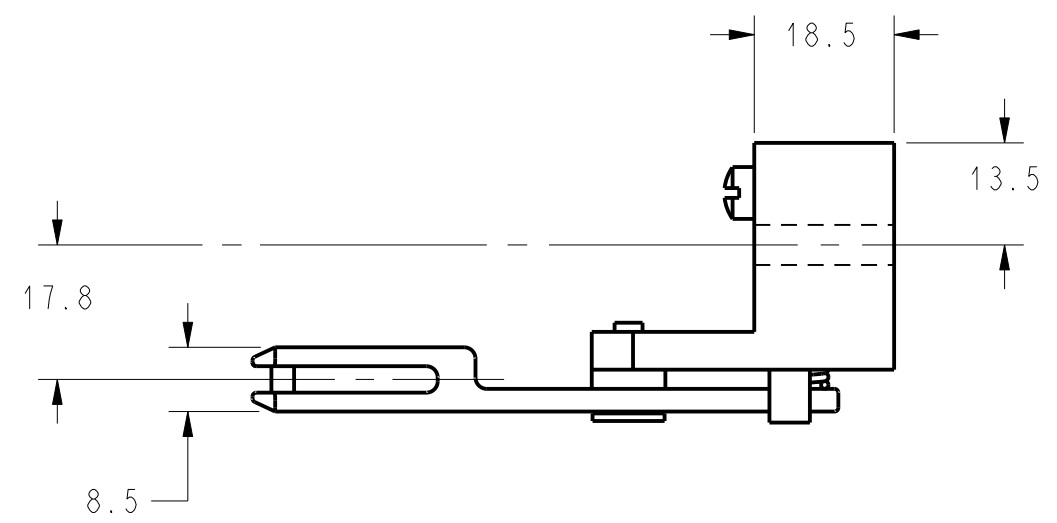
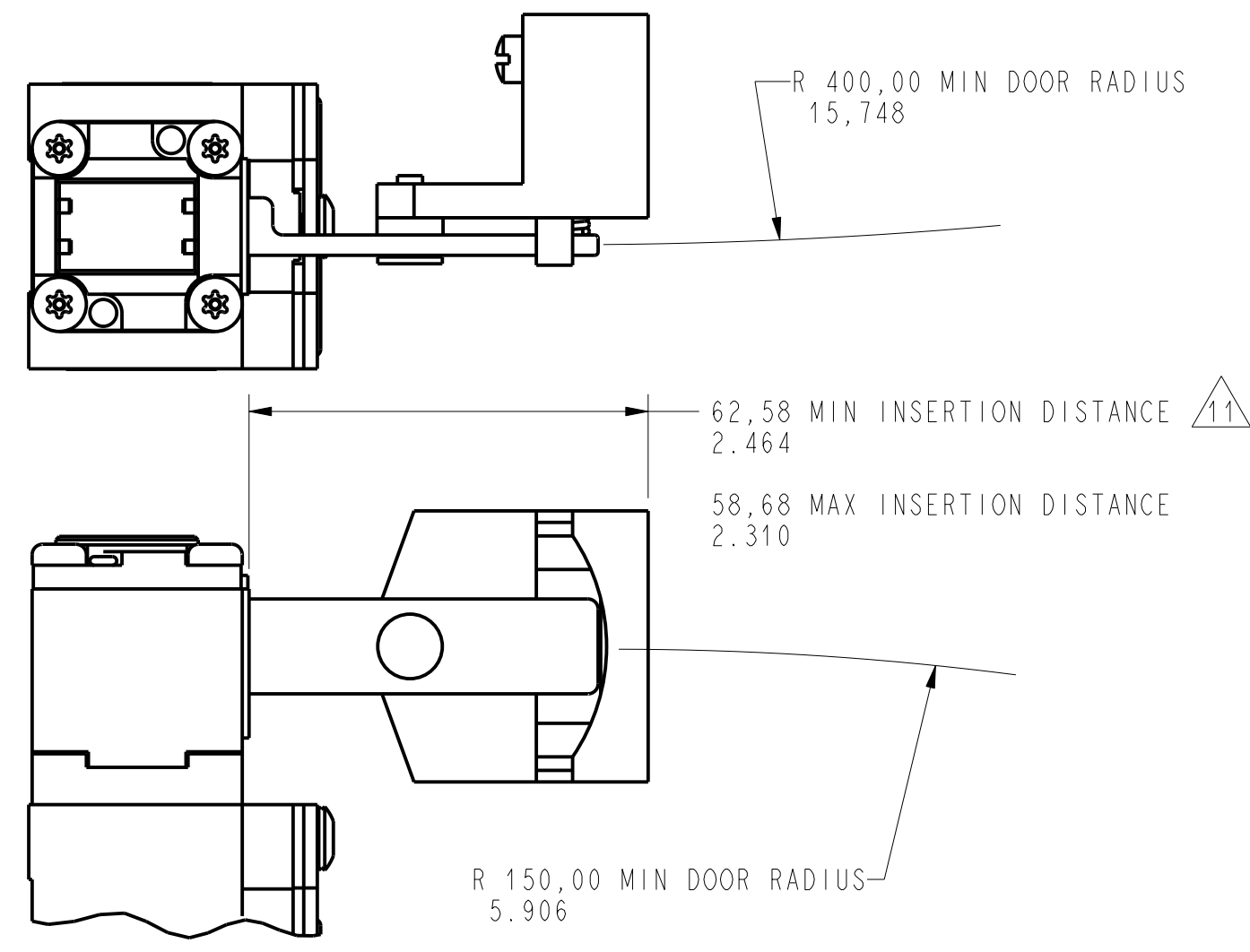
**MICRO SWITCH**  
a Honeywell Division

**SWITCH - LIMIT**

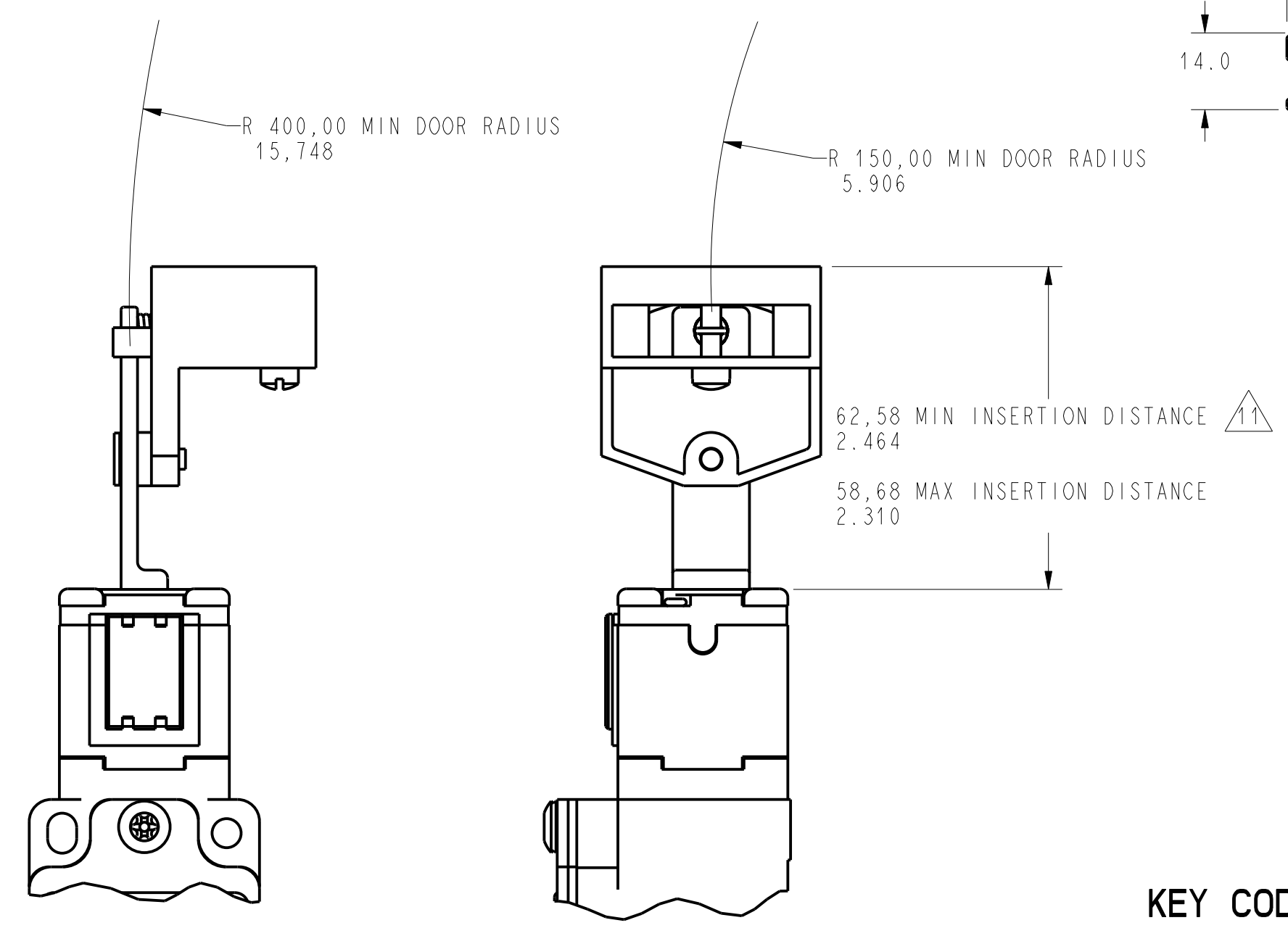
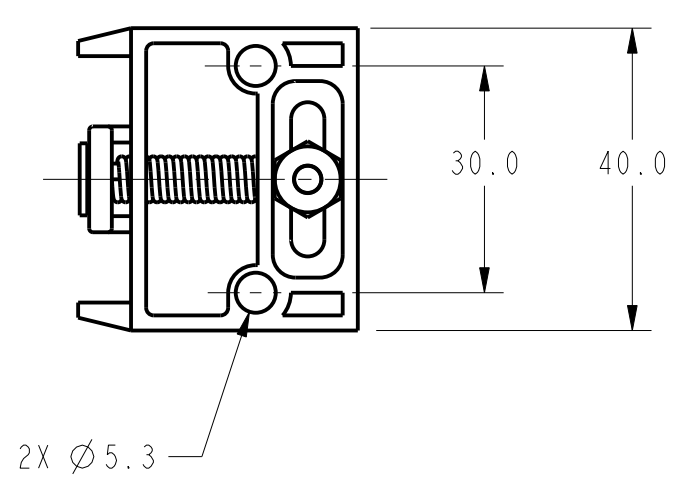
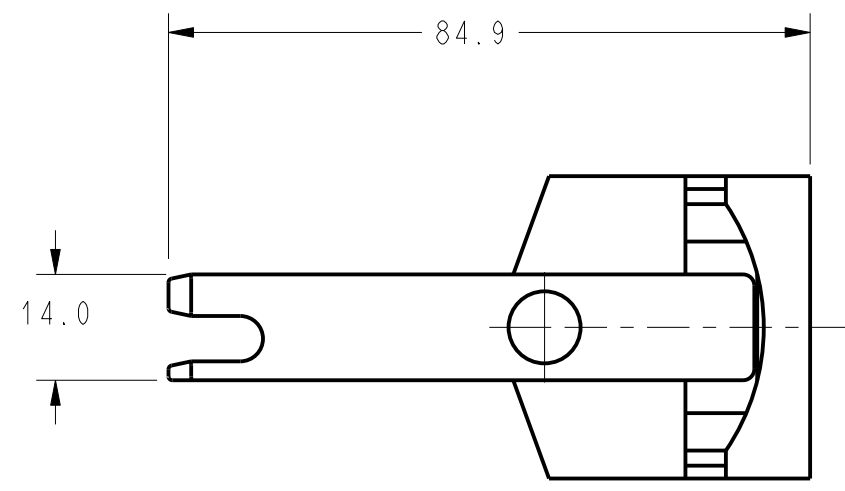
CATALOG LISTING  
**GK SERIES CHART 3**

ANSI Y14.5M-1982 APPLIES  
FED. MFG. CODE 91929

THIRD ANGLE PROJECTION		
SCALE FULL		
DO NOT SCALE PRINT		
UNLESS OTHERWISE SPECIFIED TOLERANCES ARE		
ONE PLACE	(.0)	±.030
TWO PLACES	(.00)	±.015
THREE PLACES	(.000)	±.005
ANGLES		±
WEIGHT APPROX .5 KG / 1 LB		



FRONT ENTRY



TOP ENTRY

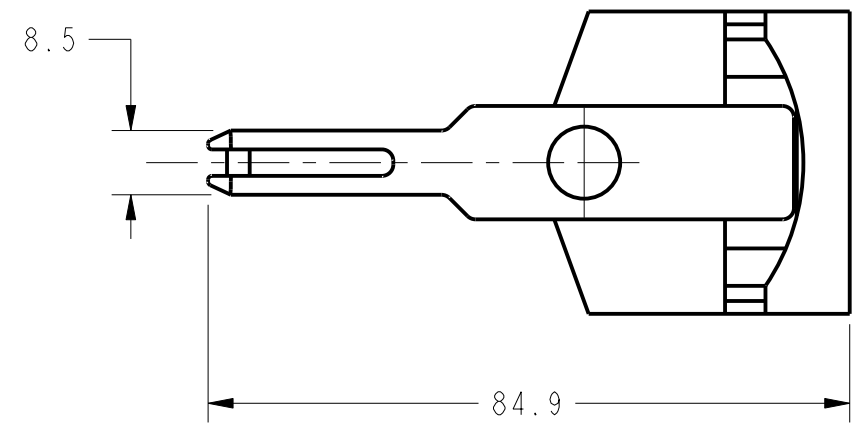
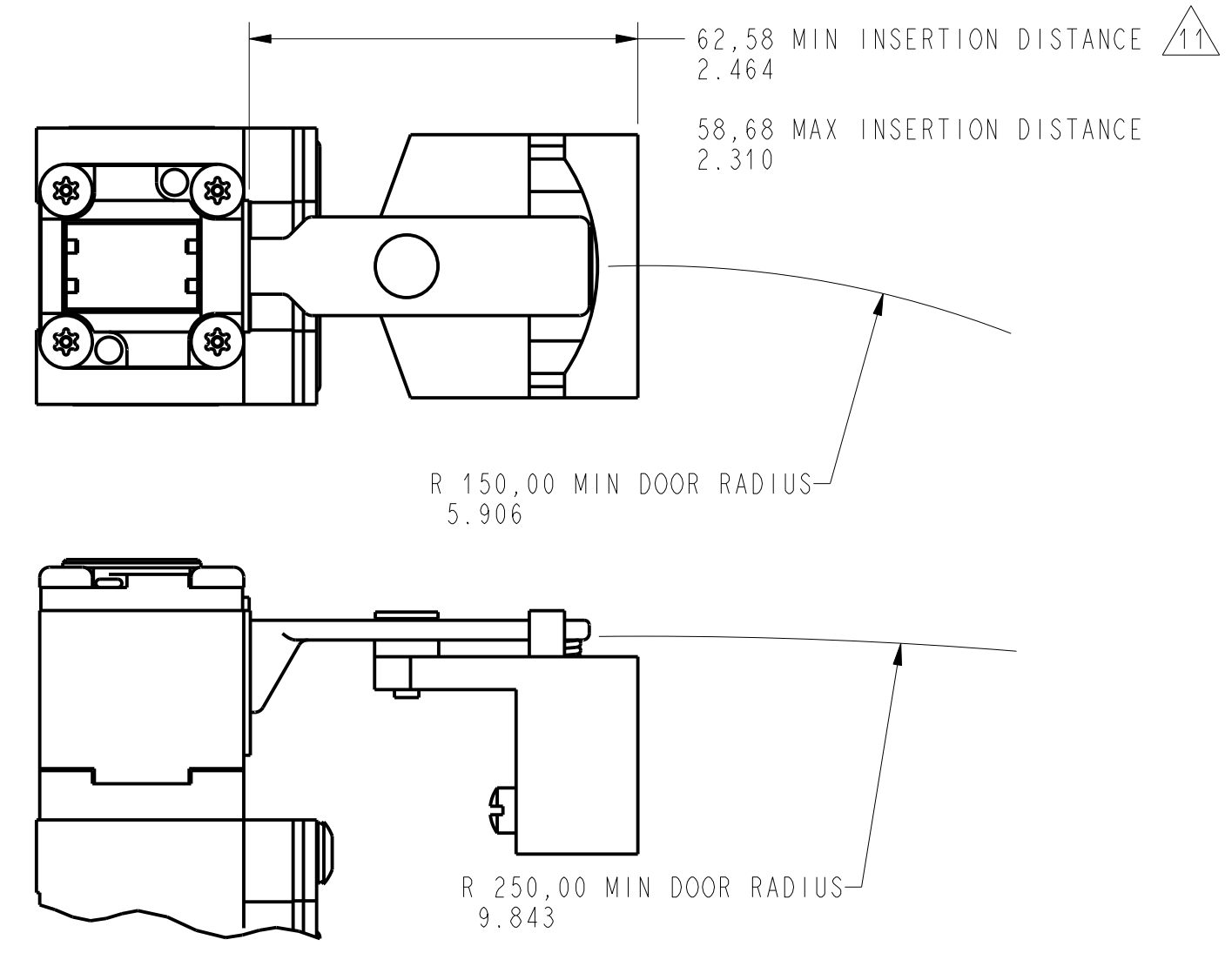
KEY CODE 8

M GK SERIES CHART 3  
 DRAWING NUMBER  
 ISSUE 28  
 P.T.C./CAD 30  
 DRAWN  
 MAM  
 1 SEP 98  
 CHECK  
 JAF  
 12 MAY 99  
 REPLACES  
 RELEASE NO. PR-23758  
 CHECK  
 REVISIONS  
 A 206394 TSM 9SEP02  
 B 206443 JLN 13SEP02  
 C 206976 JLN 27NOV02  
 D 207003 GLR 4DEC02  
 E 207211 TSM 15JAN03  
 F 207576 TSM 5MAR03  
 G 0000385 GLR 2JUN03

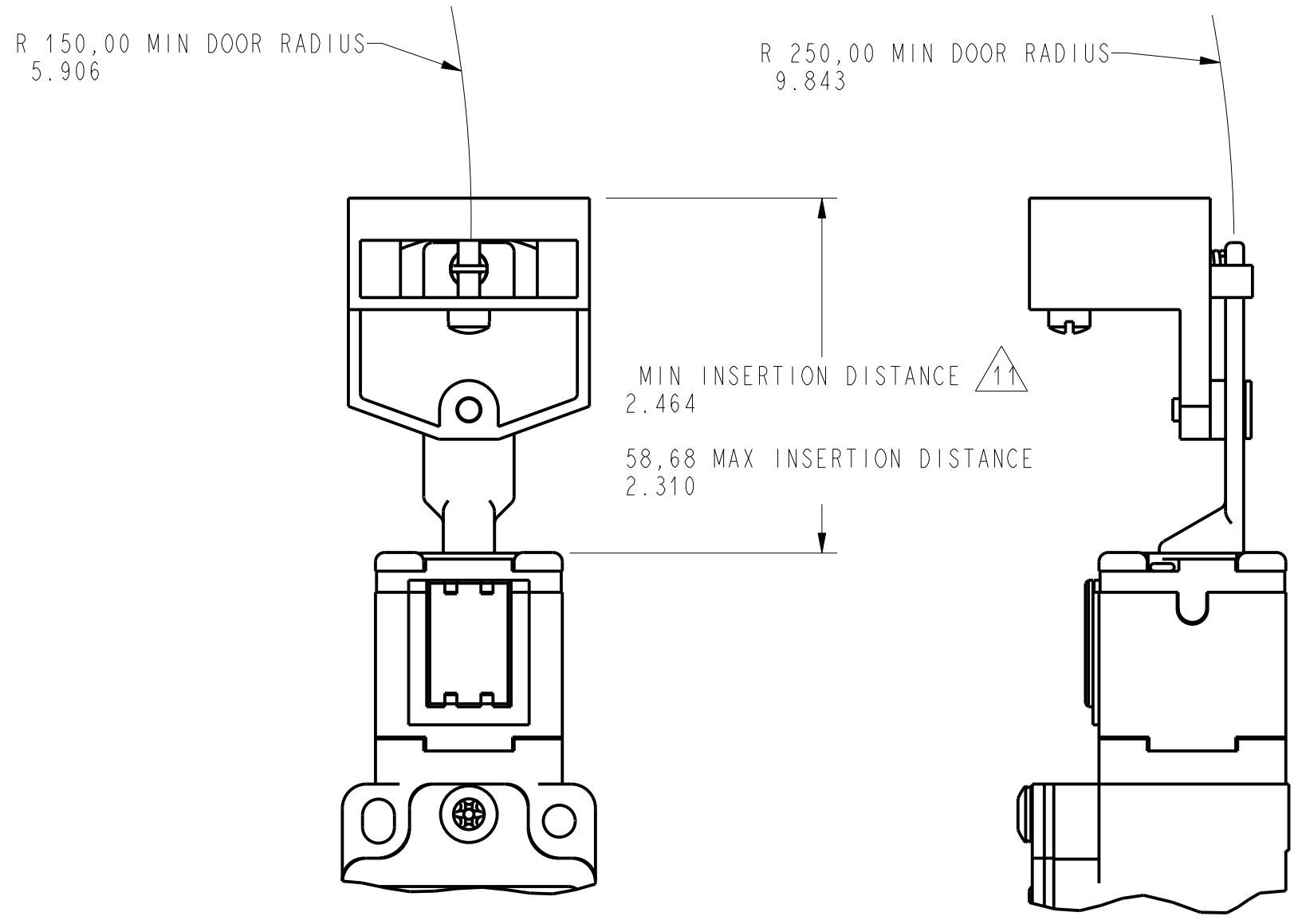
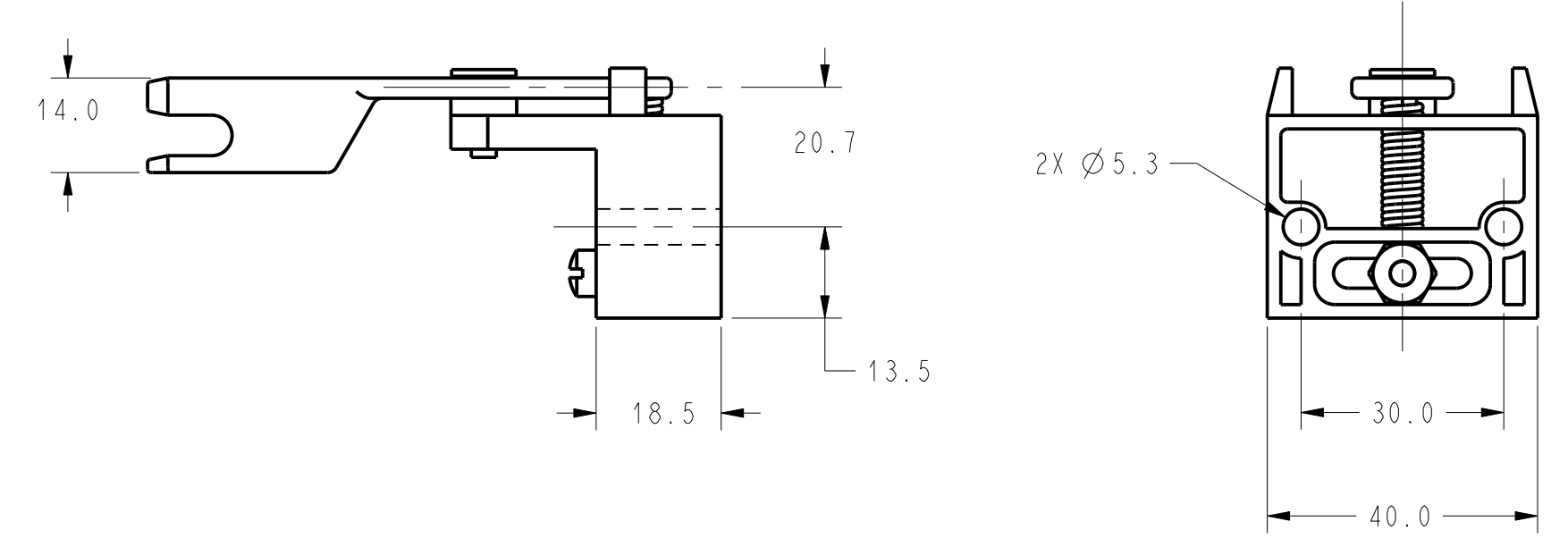
ANSI Y14.5M-1982 APPLIES

THIS DRAWING COVERS A PROPRIETARY ITEM AND IS THE PROPERTY OF MICRO SWITCH, A DIVISION OF HONEYWELL. THIS DRAWING IS NOT TO BE COPIED OR USED WITHOUT THE APPROVAL OF MICRO SWITCH.		
<b>MICRO SWITCH</b> a Honeywell Division <small>FED. MFG. CODE 91929</small>	SWITCH - LIMIT	CATALOG LISTING <b>GK SERIES CHART 3</b>

THIRD ANGLE PROJECTION		
SCALE FULL		
DO NOT SCALE PRINT		
UNLESS OTHERWISE SPECIFIED TOLERANCES ARE		
ONE PLACE	(.0)	±.030
TWO PLACES	(.00)	±.015
THREE PLACES	(.000)	±.005
ANGLES		±
WEIGHT APPROX .5 KG / 1 LB		



FRONT ENTRY



TOP ENTRY

KEY CODE 9

THIS DRAWING COVERS A PROPRIETARY ITEM AND IS THE PROPERTY OF MICRO SWITCH, A DIVISION OF HONEYWELL. THIS DRAWING IS NOT TO BE COPIED OR USED WITHOUT THE APPROVAL OF MICRO SWITCH.

MICRO SWITCH  
a Honeywell Division

SWITCH - LIMIT

CATALOG LISTING  
GK SERIES CHART 3

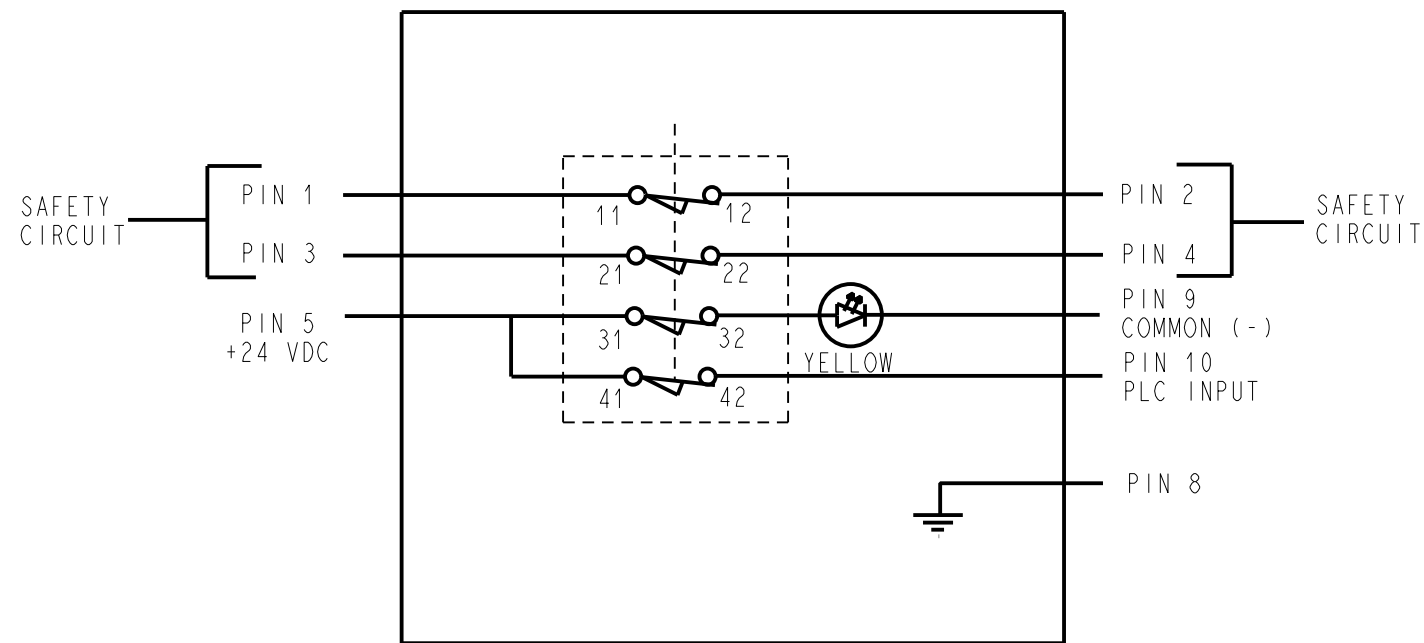
ANSI Y14.5M-1982 APPLIES

FED. MFG. CODE 91929

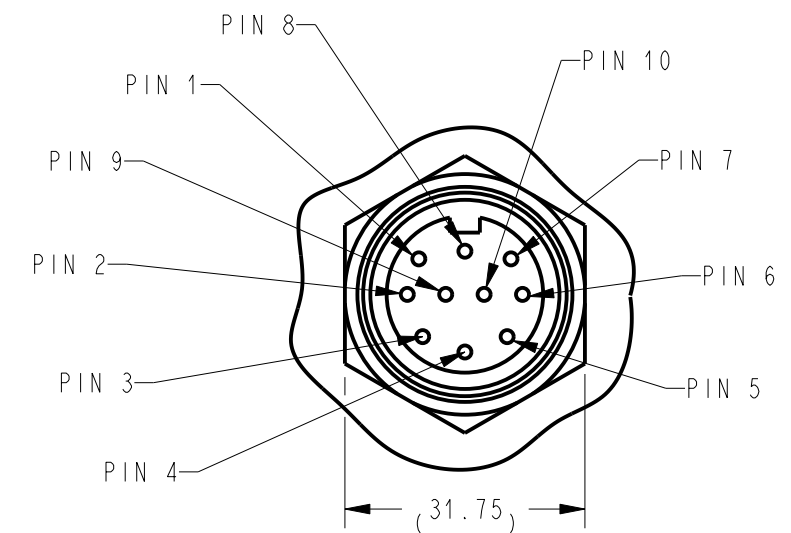
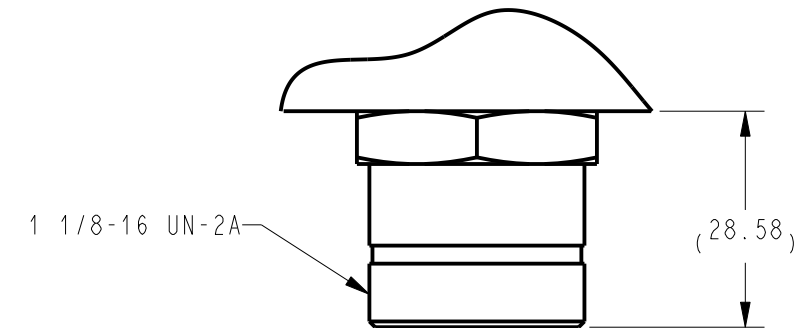
THIRD ANGLE PROJECTION		
SCALE FULL		
DO NOT SCALE PRINT		
UNLESS OTHERWISE SPECIFIED TOLERANCES ARE		
ONE PLACE	(.0)	±.030
TWO PLACES	(.00)	±.015
THREE PLACES	(.000)	±.005
ANGLES		±
WEIGHT APPROX .5 KG / 1 LB		

P.T.C./CAD 30  
 DRAWN  
 MAM  
 1 SEP 98  
 CHECK  
 JAF  
 1 SEP 98  
 CHECK  
 JAF  
 REVISIONS  
 A 206394 TSM 9SEP02  
 B 206443 JLN 13SEP02  
 C 206976 JLN 27NOV02  
 D 207003 GLN 40DEC02  
 E 207211 TSM 15JAN03  
 F 207576 TSM 5MAR03  
 G 0000385 GLN 2JUN03  
 ISSUE 28  
 DRAWING NUMBER  
 GK SERIES CHART 3  
 PAGE 6 OF 8  
 RELEASE NO. PR-23758  
 REPLACES

**MODIFICATION CODE: F06**



**SWITCH DIAGRAM STATE SHOWN WITH KEY INSERTED**



300V 2.5A  
BRAD HARRISON PART NO. 47205-22  
OR EQUIVALENT

CATALOG LISTING  
**GK SERIES CHART 3**  
PAGE 7 OF 8  
REPLACES  
RELEASE NO. PR-23758  
ISSUE  
**28**

REVISIONS

A	206443	JLH	13SEP02
B	206976	JLH	27NOV02
C	207003	GLH	4DEC02
D	207211	TSM	15JAN03
E	207576	TSM	5MAR03
F	0000385	GLH	2JUN03

PTC/CAD 3D  
DRAWN  
LJK 11 NOV 99  
CHECK  
JAF 11 NOV 99  
CHECK

THIRD ANGLE PROJECTION

SCALE NONE  
DO NOT SCALE PRINT

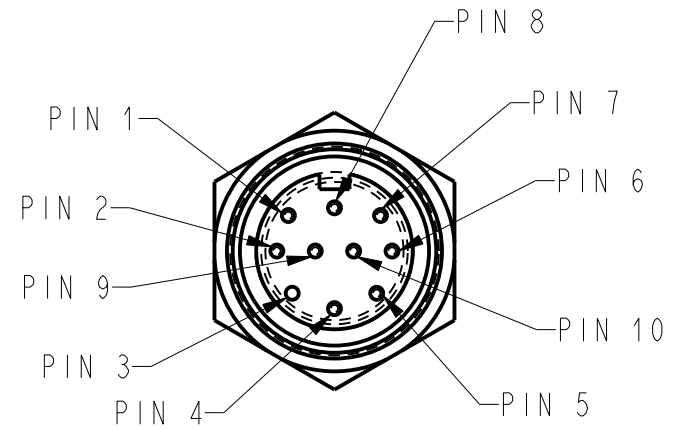
TOLERANCES  
APPLY TO DESIGN UNITS. CONVERSIONS ARE ONLY FOR REFERENCE. UNLESS NOTED, TOLERANCES ARE :

	DIM.		TOL.	
	mm	in	mm/in	in/in
NO PLACES	X	1/.04	X.X	0.8/.03
ONE PLACE	X.X	0.4/.016	X.XX	0.38/.015
TWO PLACES	X.XX	0.15/.006	X.XXX	0.13/.005
THREE PLACES				
ANGLES				

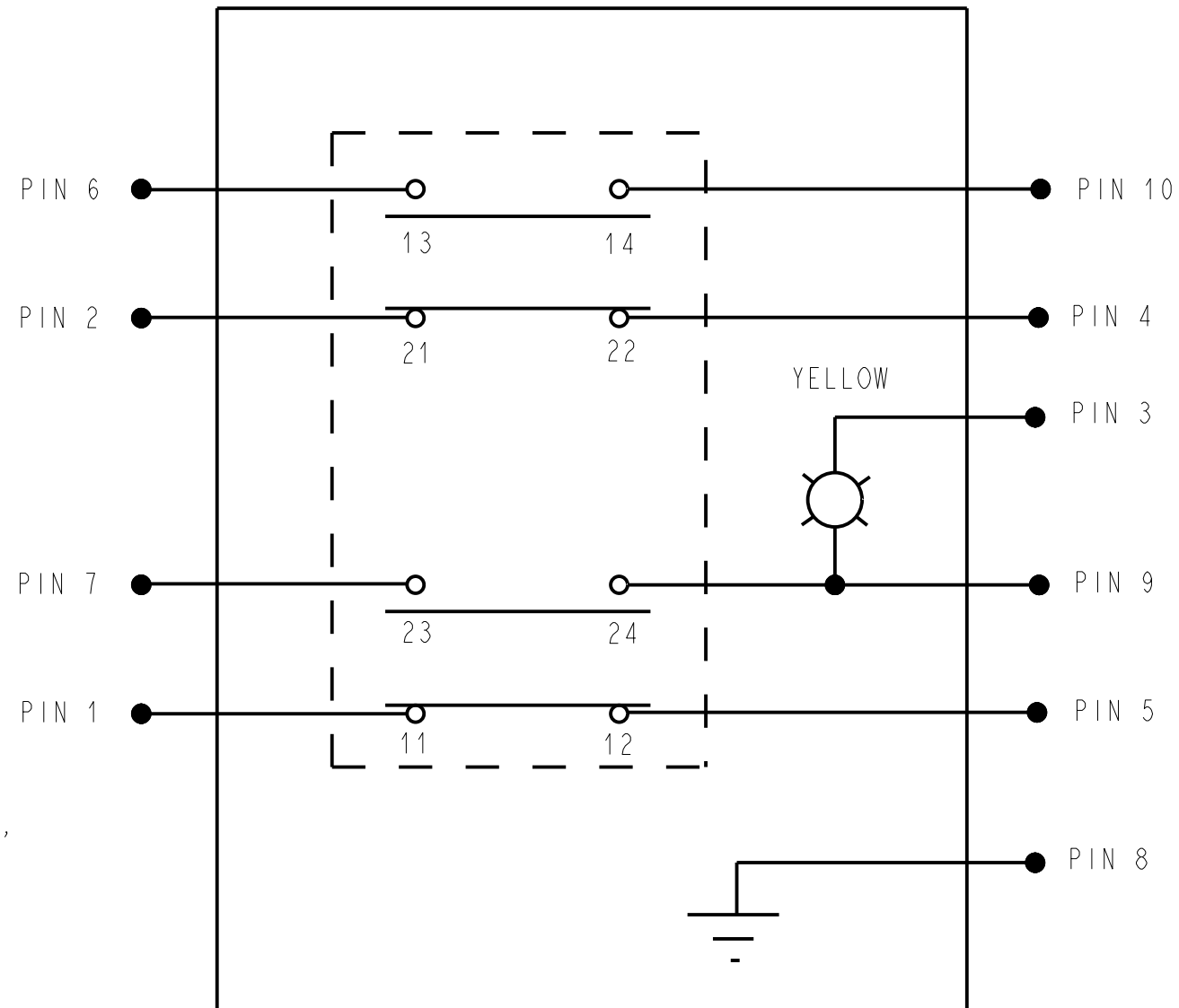
DESIGN UNITS  SI METRIC  US CUSTOMARY

WEIGHT APPROX .5KG / 1LB

MODIFICATION CODE: FW




10-PIN CONNECTOR 

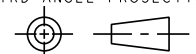


**BASIC SWITCH TO 10-PIN CONNECTOR  
CIRCUIT DIAGRAM  
DIAGRAM SHOWN WITH KEY INSERTED**

**NOTES**

- 1 - THE TWO COVER SCREWS ARE COMBINATION DRIVE, THE FOUR HEAD SCREWS ARE T-15 TAMPER PROOF TORX DRIVE (DRIVER BIT IS PROVIDED)  
 10-PIN CONNECTOR, BRAD HARRISON PART NO. 47205-22 OR EQUIVALENT)

CATALOG LISTING **GK SERIES CHART 3** REPLACES  
 PAGE 8 OF 8 RELEASE NO. PR-23758  
 ISSUE **28**  
 REVISIONS  
 A 206443 JLH 13SEP02  
 B 206976 JLH 27NOV02  
 C 207003 GLH 4DEC02  
 D 207211 TSM 15JAN03  
 E 207576 TSM 5MAR03  
 F 0000385 GLH 2JUN03  
 DRAWN 3D  
 GRT 18 JAN 00 18 JAN 00 SAV 18 JAN 00  
 CHECK CHECK CHECK  
 ANSI Y14.5M-1982 APPLIES

THIRD ANGLE PROJECTION			
			
SCALE NONE			
DO NOT SCALE PRINT			
TOLERANCES			
APPLY TO DESIGN UNITS. CONVERSIONS ARE ONLY FOR REFERENCE. UNLESS NOTED, TOLERANCES ARE :			
	DIM.	TOL	
	mm	mm/in	in
NO PLACES	X	1/.04	X.X 0.8/.03
ONE PLACE	X.X	0.4/.016	X.XX 0.38/.015
TWO PLACES	X.XX	0.15/.006	X.XXX 0.13/.005
THREE PLACES	X.XXX		
ANGLES			
SI METRIC		US CUSTOMARY	
DESIGN UNITS	<input checked="" type="checkbox"/>	<input type="checkbox"/>	
WEIGHT 0,4 KG / 1LB			